

# Watch how fast the Orbiter can count for you!



**Accurate tracking**

**Fully Automated**

**Touchless operation**

**Multiple events**

**Easy to Install**

**Easy to use**

## It's the smarter all weather sports lap counting system.

The Orbiter Lap Counter™ is just what your organization needs to count and keep track of every event participant. It uses radio frequency identification (RFID) tags to keep track of your skiers, runners, bikers, walkers and other moving objects. The Orbiter Lap Counter™ will register each lap & its time count as the tag passes an Orbiter RFID reader. The device may be used for many types of sporting events, training and vertical feet tracking.

When the Orbiter lap counter is used in an Orbiter system, easy to use software allows teams to be enrolled, and times accessed through a report displayed on the Internet. The Orbiter Lap Counter™ allows for unattended, automated, and self timed races. RFID tags are detected when presented within close proximity to a reader. Software tracks racers and teams results. It is a completely “touchless” system.

The most basic event is simple to install. Simply place a reader at the Start/Finish line. Readers may be operated in standalone mode or networked. The system begins to count laps as RFID tag users pass the reader. The Orbiter Lap Counter™ allows multiple events to be run simultaneously over different stop/stop time periods.

The Orbiter Lap Counter™ is the perfect counting tool for non-profit events, clubs, resorts, schools, sports training facilities and more.



**For more information call  
1.866.938.3587 or [info@allaura.com](mailto:info@allaura.com)**



## Reduced Race Cost

## Proven Reliable System

## Easy to Install & Use

## Clubs - Resorts - Events

### Weather proof, cold temperature design:

-20 degrees F on battery, - 30 degrees on AC if started above -20 degrees F.

### Three range designs to choose from:

Short: 5 inch, Medium: 18 feet, Long: 150 feet

**Color:** Orange, Base is Black - both UV tolerant.

**Weight:** Bollard 20 lbs. 40 lbs with detachable base.

**Size:** (excluding base) 52"X12"X6"

**Portable:** Carry handle on both the Bollard and Base.

**Tag detect response:** Two-sided audio and light.

**Power:** AC or Battery power. Battery lasts up to 28 hours for use in 24 hour events in extreme cold.

Battery operates, for several days, in automatic standby mode. Built in battery charger.

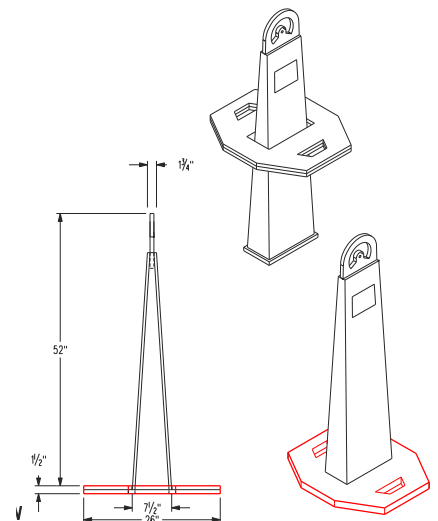


The vertical bollard reads radio frequency identification (RFID) tags when they are presented. A record of the tag detection and place are recorded. The reader has tag anti collision protocol allowing many tags to be read simultaneously. A confirmation buzzer and light signifies to the user the tag has been read.

Bollards may be networked together, with or without the need for standard network connections. This allows the bollards to be placed in remote areas and set up outside of wireless range of each other and the server.



- Multiple Bollards may be used to avoid queues for crowded events. Bollards may be removed from or added to ongoing events at any time. Bollards may be set up outside of wireless range of each other and the server.
- Tags: Standard Version 3 inch tag read range, (Professional Version, not included) -up to 150 ft. Both version allow for fast tag detect response, read and write, ignores non event tags, catches impossible player movements, encryption.
- Crystal Clock keeps time when bollard is on standby.
- Batteries included.
- Personal Computer not included.
- Optional Administrative software available allows for internet connection, remote enrollment, advanced reporting and administration.



**For more information call 1.866.938.3587 or [info@allaura.com](mailto:info@allaura.com)**